

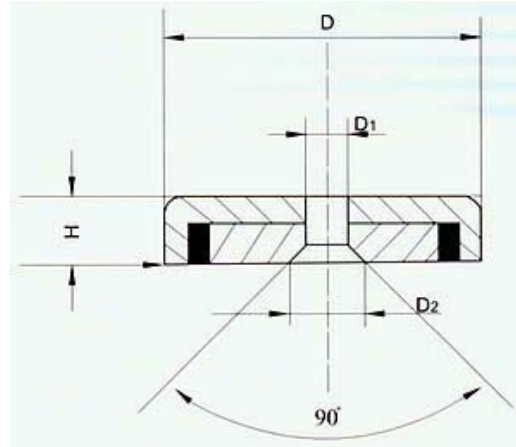
<

# RADIAL MAGNET INC

INDUSTRIAL    NEODYMIUM    CERAMIC    ALNICO    RARE EARTH    POLARITY    SHAPES

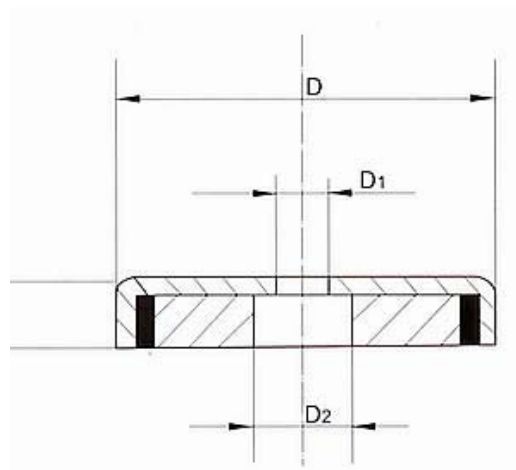
[←BACK](#)

## Neodymium Pot Magnet - Model A



Model	D	D1	D2	H
A16	16mm - .63"	3.5mm - .14"	6.5mm - .26"	5mm - .20"
A20	20mm - .79"	4.5mm - .18"	8.6mm - .34"	7mm - .28"
A25	25mm - .98"	5.5mm - .22"	10.4mm - .41"	8mm - .31"
A32	32mm - 1.26"	5.5mm - .22"	10.4mm - .41"	8mm - .31"
A42	42mm - 1.65"	6.5mm - .26"	12mm - .47"	9mm - .35"
A48	48mm - 1.89"	8.5mm - .33"	16mm - .63"	11.5mm - .45"
A60	60mm - 2.36"	8.5mm - .33"	16mm - .63"	15mm - .59"
A75	75mm - 2.95"	10.5mm - .41"	19mm - .75"	18mm - .71"

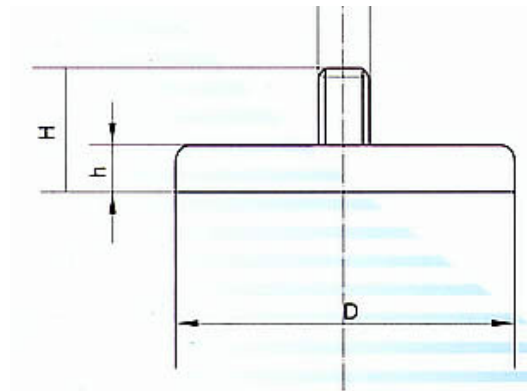
## Neodymium Pot Magnet - Model B



Model	D	D1	D2	H
-------	---	----	----	---

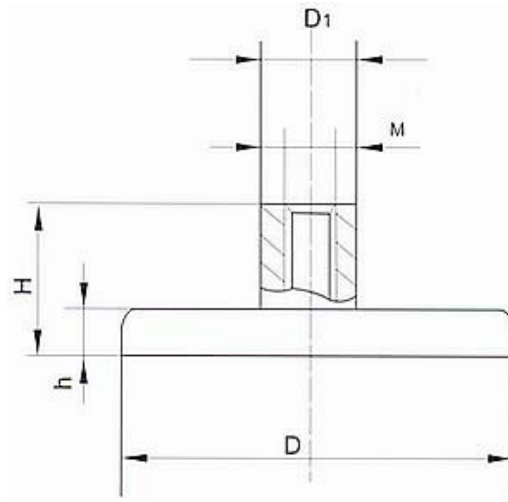
B16	16mm - .63"	3.5mm - .14"	6.5mm - .26"	5mm - .20"
B20	20mm - .78"	4.5mm - .18"	8mm - .31"	7mm - .28"
B25	25mm - .98"	5.5mm - .22"	9mm - .35"	8mm - .31"
B32	32mm - 1.26"	5.5mm - .22"	9mm - .35"	8mm - .31"
B42	42mm - 1.65"	6.5mm - .26"	11mm - .43"	9mm - .35"
B48	48mm - 1.89"	8.5mm - .33"	15mm - .59"	11.5mm - .45"
B60	60 mm - 2.36"	8.5mm - .33"	15mm - .59"	15mm - .59"
B75	75mm - 2.95"	10.5mm - .41"	18mm - .71"	18mm - .71"

**Neodymium Pot Magnet - Model C**



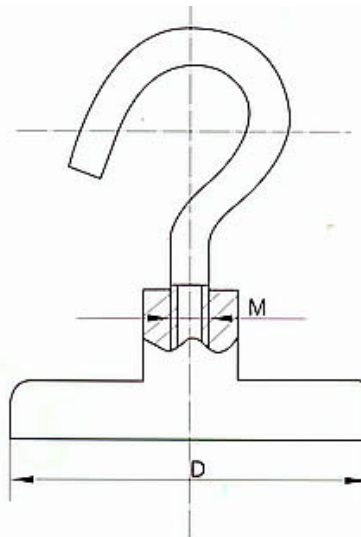
Model	D	D1	D2	H
C10	10mm - .39"	3mm - .12"	12mm - .47"	5mm - .20"
C12	12mm - .47"	3mm - .12"	13mm - .51"	5mm - .20"
C16	16mm - .63"	4mm - .16"	13mm - .51"	5mm - .20"
C20	20mm - .79"	4mm - .16"	15mm - .60"	7mm - .28"
C25	25mm - .98"	5mm - .20"	17mm - .67"	8mm - .31"
C32	32mm - 1.26"	6mm - .24"	18mm - .71"	8mm - .31"
C36	36mm - 1.41"	8mm - .31"	18mm - .71"	8mm - .31"
C42	42mm - 1.65"	8mm - .31"	20mm - .79"	9mm - .35"
C48	48mm - 1.89"	8mm - .31"	24mm - .94"	11.5mm - .45"
C60	60mm - 2.36"	10mm - .39"	30mm - 1.18"	15mm - .59"

**Neodymium Pot Magnet - Model D**



Model	D	D1	M	H	h
D10	10mm - .39"	5.5mm - .22"	3mm - .12"	12mm - .47"	5mm - .20"
D12	12mm - .47"	6mm - .24"	3mm - .12"	13mm - .51"	5mm - .20"
D16	16mm - .63"	6mm - .24"	4mm - .16"	13mm - .51"	5mm - .20"
D20	20mm - .78"	8mm - .31"	4mm - .16"	15mm - .59"	7mm - .28"
D25	25mm - .98"	10 mm - .39"	5mm - .20"	17mm - .67"	8mm - .31"
D32	32mm - 1.26"	10mm - .39"	6mm - .24"	18mm - .71"	8mm - .31"
D36	36mm - 1.41"	10mm - .39"	8mm - .31"	18mm - .71"	8mm - .31"
D42	42mm - 1.65"	12mm - .47"	8mm - .31"	20mm - .79"	9mm - .35"
D48	48mm - 1.89"	12mm - .47"	8mm - .31"	24mm - .98"	11.5mm - .45"
D60	60mm - 2.36"	14mm - .55"	10mm - .39"	30mm - 1.18"	15mm - .59"

**Neodymium Pot Magnet - Model E**



Model	D	M
E16	16mm - .63"	4mm - .16"
E20	20mm - .79"	4mm - .16"
E25	25mm - .98"	4mm - .16"
E32	32mm - 1.26"	4mm - .16"

E36	36mm - 1.42"	4mm - .16"
E42	42mm - 1.65"	4mm-.16"
E48	48mm - 1.89"	5mm - .20"
E60	60mm - 2.36"	5mm - .20"
E75	75mm - 2.95"	6mm - .24"

[Goto Home Page](#)